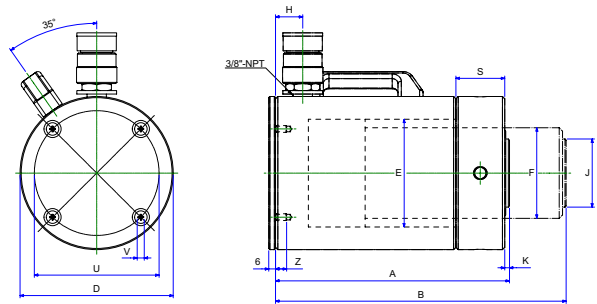


## ALUMINIUM CYLINDERS WITH LOCK NUT

BETEX ALNC series, light weight aluminium-cylinder, load return, single acting



Model ALNC cylinders 50 -100T



Capacity : 50-100 ton  
Stroke : 50-250 mm  
Max. working pressure : 700 bar

### Model: ALNC series

- Half the weight of steel cylinders
- Locknuts offer extended load holding
- Large bearing surfaces for side load protection
- Carrying handles standard on all models
- Black hard-anodized coating reduces wear & corrosion
- Stop rings for piston blow-out protection
- Heavy duty spring for fast & full return

### Base Plate Mounting holes dimensions (mm)

Cylinder model/ capacity ton	Bolt circle U mm	Thread V mm	Thread Dept Z mm
ALNC-20	70	M6 x 1.0	10
ALNC-30	80	M6 x 1.0	10
ALNC-50	110	M6 x 1.0	10
ALNC-100	160	M6 x 1.0	10

### ALNC series

Type	Cap. ton	Stroke mm	Oil cap cm <sup>3</sup>	A Height mm Retr.	B Height mm Ext.	D Ø mm	E Ø mm	F Ø mm	H Ø mm	J Ø mm	K mm	L mm	Weight Kg
ALNC202	20	50	166	212	262	92	65	Tr55x3	25	40	3	25	4,8
ALNC204		100	332	262	362	92	65	Tr55x3	25	40	3	25	5,5
ALNC206		150	498	312	462	92	65	Tr55x3	25	40	3	25	6,3
ALNC208		200	664	412	612	92	65	Tr55x3	25	40	3	25	6,9
ALNC302	30	50	221	205	255	110	75	Tr60x3	25	40	3	30	6,9
ALNC304		100	442	255	355	110	75	Tr60x3	25	40	3	30	7,7
ALNC306		150	663	305	455	110	75	Tr60x3	25	40	3	30	7,6
ALNC308		200	884	355	555	110	75	Tr60x3	25	40	3	30	9,6
ALNC502	50	50	354,5	212	262	135	95	Tr80x4	30	60	3	43	9,3
ALNC504		100	709	262	362	135	95	Tr80x4	30	60	3	43	10,7
ALNC506		150	1063,5	312	462	135	95	Tr80x4	30	60	3	43	13,7
ALNC508		200	1418	362	562	135	95	Tr80x4	30	60	3	43	14,5
ALNC5010		250	1772,5	412	662	135	95	Tr80x4	30	60	3	43	16,5
ALNC1002	100	50	715	235	285	200	135	Tr105x6	45	70	3	51	21,7
ALNC1004		100	1430	285	385	200	135	Tr105x6	45	70	3	51	25,2
ALNC1006		150	2145	335	485	200	135	Tr105x6	45	70	3	51	29,2
ALNC1008		200	2860	385	585	200	135	Tr105x6	45	70	3	51	33
ALNC10010		250	3575	438	688	200	135	Tr105x6	45	70	3	51	35,4

TIP! Use in combination with: hand- and foot pumps, page 55-67. Accessories, page 70-73