

AIR PUMPS

BETEX AP8000 SERIES, AIR-HYDRAULIC PUMPS, 700 BAR

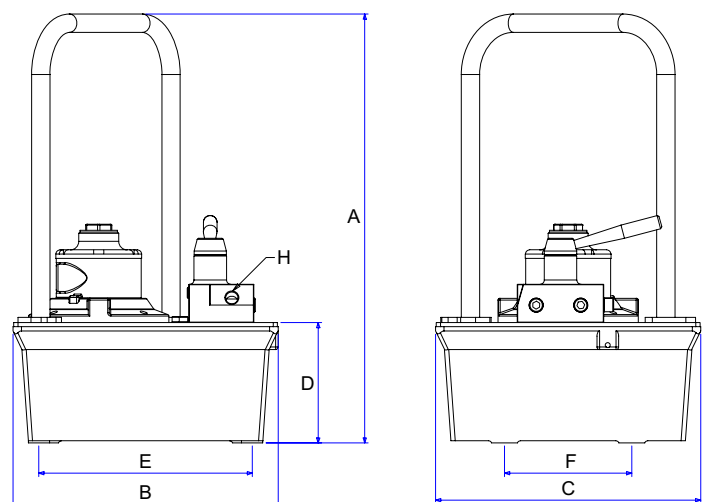


AP8000D



AP8000S

- Two speed operation for fast speed cylinder advance
- 8 Liter durable aluminium reservoir
- Air motor capable of starting under full load
- Automatic 700 bar overload-relief valve protects components in hydraulic systems and ensures safe operation
- Specially designed AP8000D is for double-acting cylinders without the need for extra controlling valve and adapters



AP series

TIP! Use in combination with accessories, page 70-74

Type	max. Pressure (bar)	Usable oil capacity cm ³	Oil volume per stroke cm ³		A mm	B mm	C mm	D mm	E mm	F mm	H	Weight Kg
			1st stage	2nd stage								
AP8000S	700	8000	4700	280	505	312	312	142	251	149	3/8"-NPT	20
AP8000D	700	8000	4700	280	505	312	312	142	251	149	3/8"-NPT	20