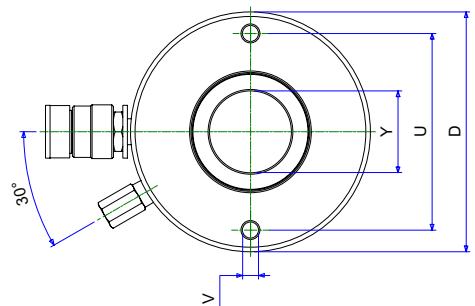
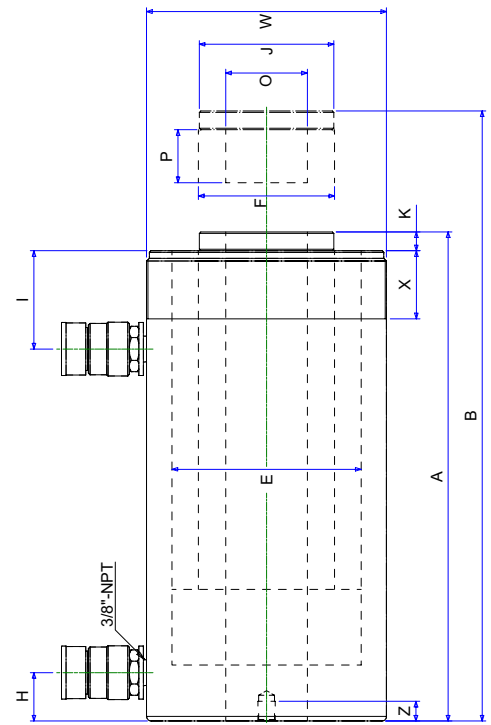


CYLINDERS

BETEX NDAH series, hollow cylinder, double acting



Model: NDAH series

Capacity : 30 - 100 ton
 Stroke : 76 - 257 mm
 Max. working pressure : 700 bar

- All cylinders are hollow and double acting
- Hard chromed pistons
- Cylinders inside roll-polished, outside blasted with black nitride coating
- Perfect for construction, shipyards, utilities, mining and equipment maintenance

TIP! Use in combination with: hand- and foot pumps, page 55-67. Accessories, page 70-73

NDAH series

Centre Hole

Type	Capacity ton Push Pull	Stroke mm	Oil cap cm ³ Push Pull	A Height mm Retracted	B Height mm Extended	D ø mm	E ø mm	F ø mm	H mm	I mm	J ø mm	K mm	O ø un	P mm	U mm	V mm	Z mm	W ø un	X mm	Y ø mm	Weight Kg
NDAH307	30 21	178	849 541	330	508	117	90	65	21.5	60.5	59.5	0.5	1 7/8"-16	25	92	3/8"-16	14	4 1/2"-12	42	34	22
NDAH3010	30 21	257	1226 782	431	688	117	90	65	21.5	60.5	59.5	10	1 7/8"-16	25	92	3/8"-16	14	4 1/2"-12	42	34	27
NDAH603	60 41	89	797 526	247.5	336.5	158.6	125	90	32	65	89	12.5	2 3/4"-16	25	130	1/2"-13	14	6 1/4"-12	50	54	28
NDAH606	60 41	165	1477 975	323.5	488.5	158.6	125	90	32	65	89	12.5	2 3/4"-16	25	130	1/2"-13	14	6 1/4"-12	50	54	35
NDAH6010	60 41	257	2300 1518	437.5	694.5	158.6	125	90	32	65	89	12.5	2 3/4"-16	25	130	1/2"-13	14	6 1/4"-12	50	54	45
NDAH1003	100 64	76	1086 692	254	330	213	165	125	38	82	125	12	4"-16	30	178	5/8"-11	19	8 3/8"-12	60	79	52
NDAH1006	100 64	152	2172 1384	325	477	213	165	125	38	82	125	12	4"-16	30	178	5/8"-11	19	8 3/8"-12	60	79	65
NDAH10010	100 64	256	3656 2331	462	718	213	165	125	38	82	125	12	4"-16	30	178	5/8"-11	19	8 3/8"-12	60	79	88